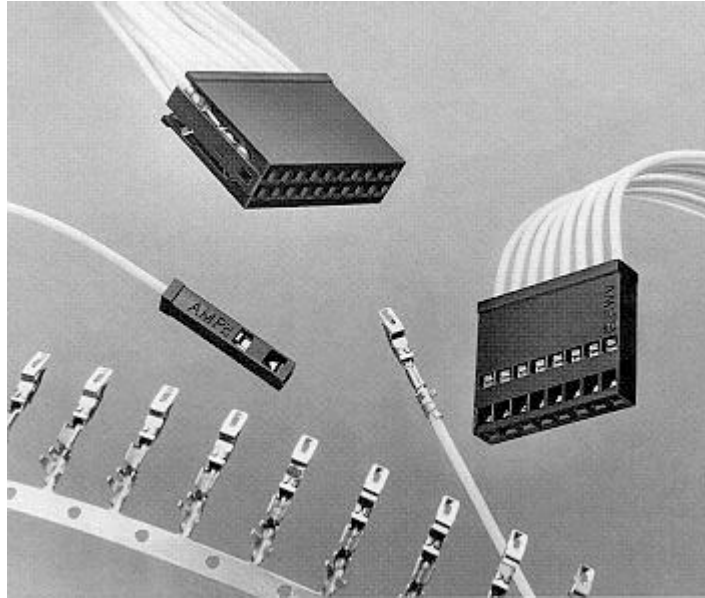


Locking Clip Contacts and Housings



Product Facts

- Self-retaining contacts provide permanent connection with quick connect and disconnect
 - Fast, easy installation with no additional locking hardware required
 - Mates with .025 [0.64] square posts in a variety of configurations
 - Single- and double-row configurations in up to 20 positions on .100 [2.54] centers
 - Modular design permits end-to-end stacking (double-row only) for circuit grouping
 - Choice of tin or select gold plating
 - Housings made of 94V-0 rated glass-filled polyester
- Recognized under the Component Program of Underwriters Laboratories Inc., File No. E28476
- Certified by Canadian Standards Association, File No. LR 7189



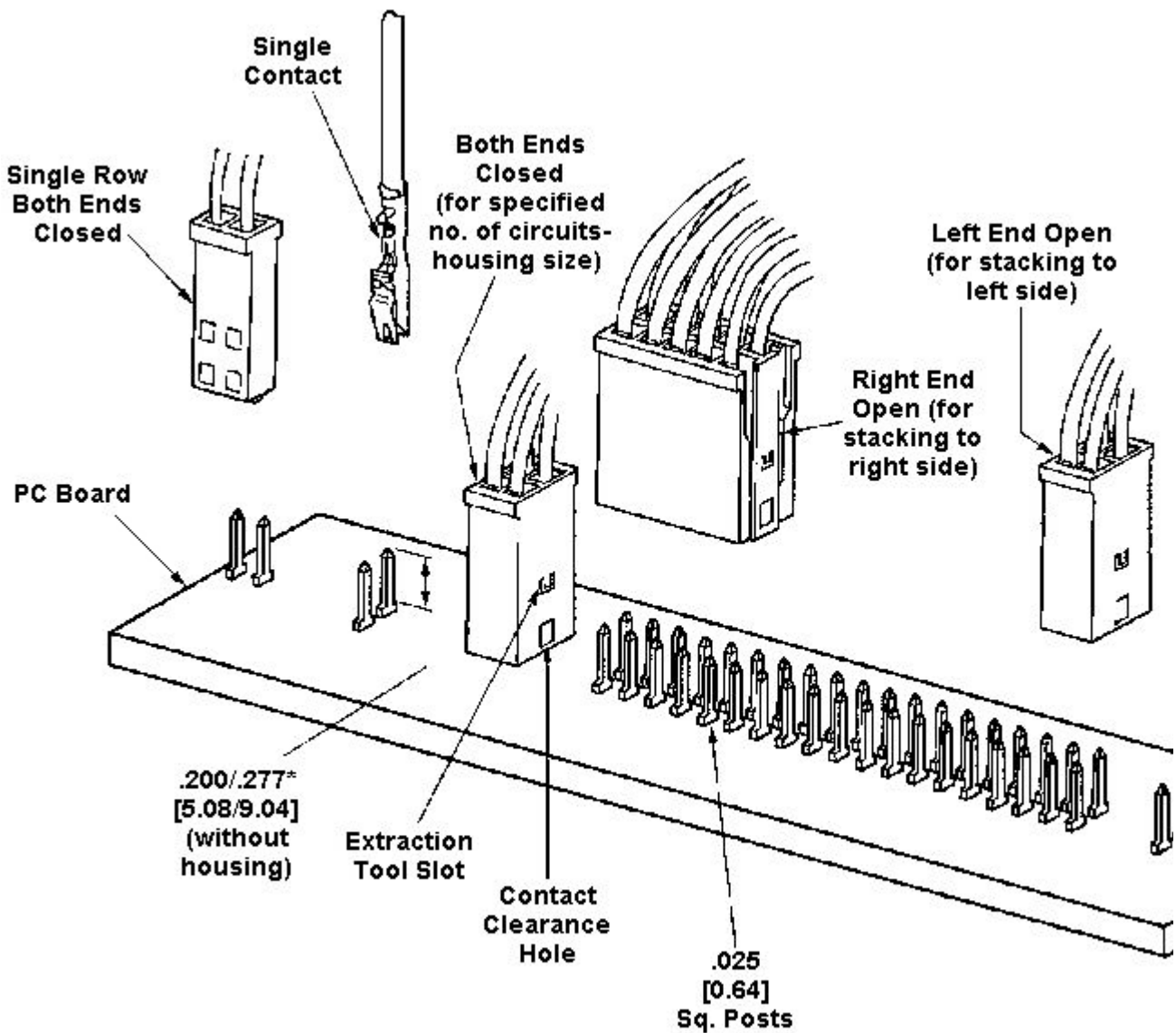
Performance Characteristics

Contact Current Rating--3 amperes

Termination Resistance:12 milliohms (max.)--Gold plated contacts
16 milliohms (max.)--Tin plated contacts

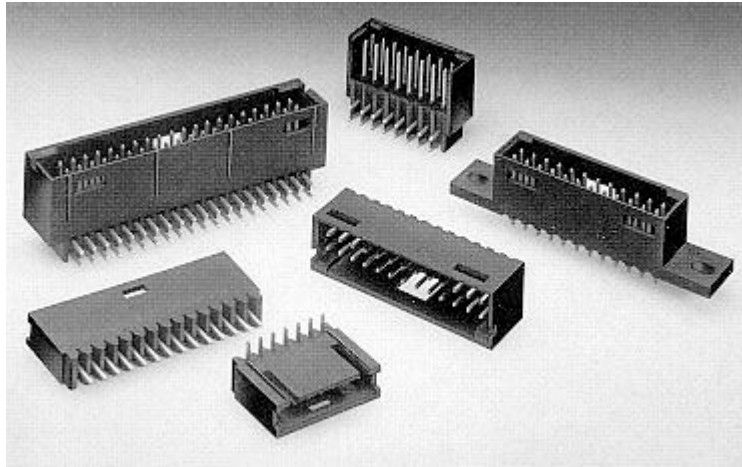
Durability--Ref. AMP Product Specification 108-36028

Typical Application



* If post is longer than the maximum specified, post tip may butt against wire ends.

Standard Profile Headers--Shrouded



Product Facts

- Available in several styles--right-angle with three- and four-sided pin protection, and straight post with pin protection and mounting ears
- Post retention feature available
- Can be used for feed-to and feed-thru applications
- Housings are black thermoplastic, flame retardant 94V-0 rated
- Contacts are copper alloy
- Available in gold duplex, gold over nickel and tin-lead over nickel platings
- Headers with .066 [1.68] and .150 [3.81] end dimensions are available in select sizes up to 60 positions
- Can be select loaded, consult AMP Incorporated
- Recognized under the Component Program of Underwriters Laboratories Inc. File No.

E28476®



- Certified by Canadian Standards Association, File No. LR 7189



Performance Characteristics

Electrical:

Insulation Resistance--5,000 megohms minimum initial

Dielectric Withstanding Voltage--750 RMS at sea level

Environmental:

Operating Temperature-- -65°C to $+105^{\circ}\text{C}$ (black thermoplastic housings)

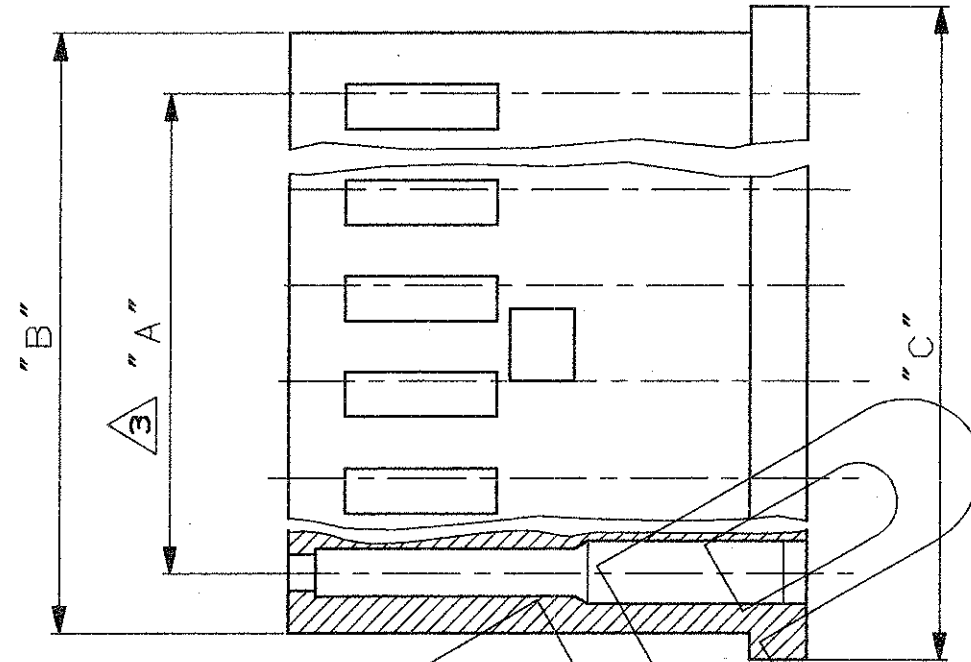
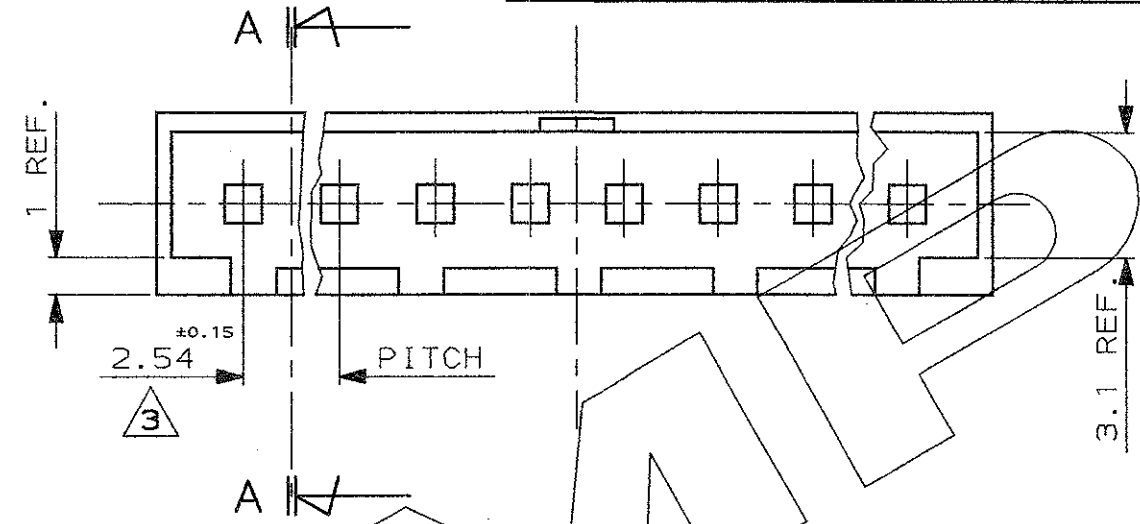
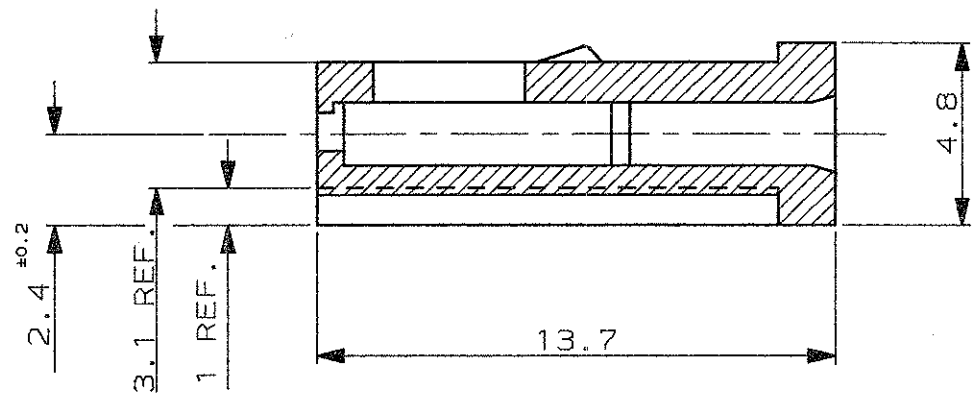
Current--3 amperes maximum per contact

SEZ. A-A
(SECT. A-A)

SCALA NON IMPEGNATIVA
(DO NOT SCALE)
DIMENSIONI IN mm
(DIMENSIONS IN)

METRIC

PROIEZIONE EUROPEA
(EUROPEAN PROJECTION)



OBSOLETE	4	1-280359-0	7.62	10.6	12.2	2
OBSOLETE	2	1-280358-0	2.54	5.6	7.1	
	22	280364-0	53.34	56.4	57.9	1
	15	280363-0	35.56	38.6	40.1	
	12	280514-0	27.94	31	32.5	
	10	280362-0	22.86	25.9	27.4	
	9	280512-0	20.32	23.3	24.9	
	8	280361-0	17.78	20.8	22.3	
	6	280360-0	12.70	15.7	17.3	
	4	280359-0	7.62	10.6	12.2	
	2	280358-0	2.54	5.6	7.1	
N° POS.		PART NUMBER	DIM. "A"	DIM. "B"	DIM. "C"	MATERIAL (SEE NOTE)

1 NORYL, UL94 V1, COLORE NERO

1 NORYL, UL94 V1, BLACK COLOUR

2 NORYL SE-1 COLORE ROSSO

2 NORYL SE-1 RED COLOUR

3 TOLLERANZA NON CUMULATIVA

3 NON CUMULATIVE TOLERANCE

CUSTOMER DRAWING
FOR REFERENCE ONLY

DISEGNO PER CLIENTE
SOLO PER RIFERIMENTO

THIS DRAWING IS UNPUBLISHED | RELEASE FOR PUBLICATION | 19

© COPYRIGHT 19 BY AMP INCORPORATED, HARRISBURG, PA. ALL INTERNATIONAL RIGHT RESERVED. AMP PRODUCTS MAY BE COVERED BY U.S. AND FOREIGN PATENT AND/OR PATENT PENDING

TOLLERANZE; SE NON DIVERSAMENTE SPECIFICATO
(TOLERANCES, UNLESS OTHERWISE SPECIFIED)

DIAM. ISOLANTE (INS. DIA. RANGE) | RANGO FILO (WIRE RANGE) | SCALA (SCALE)

± 0.3

ANGOLI (ANGLES) ± 2°

AMP AMP ITALIA S.p.A.
Corso F.lli Cervi, 15
COLLEGNO (TORINO)

Y	REVISED NOTE 1 (ET00-0188-97)	C.P.	1992	DIS. 11 APRIL '95 (DR.)	DESCRIZIONE (DESCRIPTION) AMPMODU II REC. HSG SINGLE ROW, CRIMP ON-SNAP IN
G	REVISED AND REDRAWN BY CAD ET00-0092-95	C.P.	25 May '95	C.P.I.A.	
F	REVISED NOTE 1	C.M.	10-7-91	CONT. 11 APRIL '95 (CHK) R. CANTORE	LOC. SIZE NUMERO (DWS NO) REV. FOGLIO (SHEET)
E	REVISED AND REDRAWN	E.B.	29-9-86		
REV.	REVISIONI (REVISION RECORD)	DIS. DATA (DR) (DATE)	APP. DATA (APP.) (DATE)		I A3 C - 280358 Y 1 1

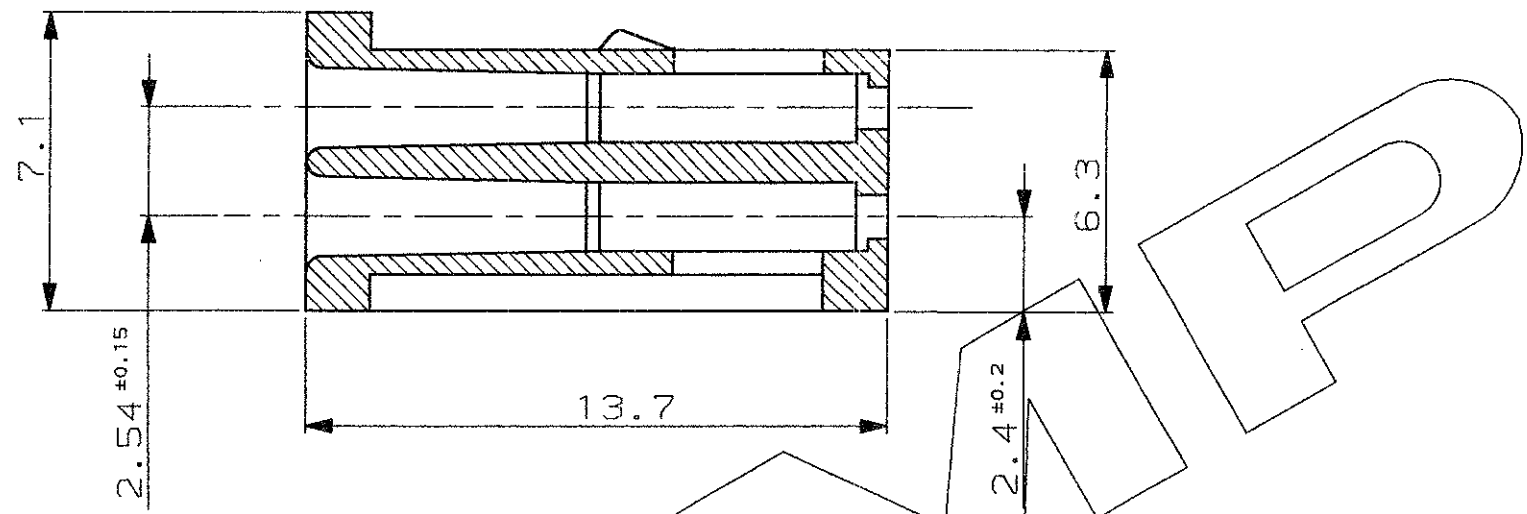
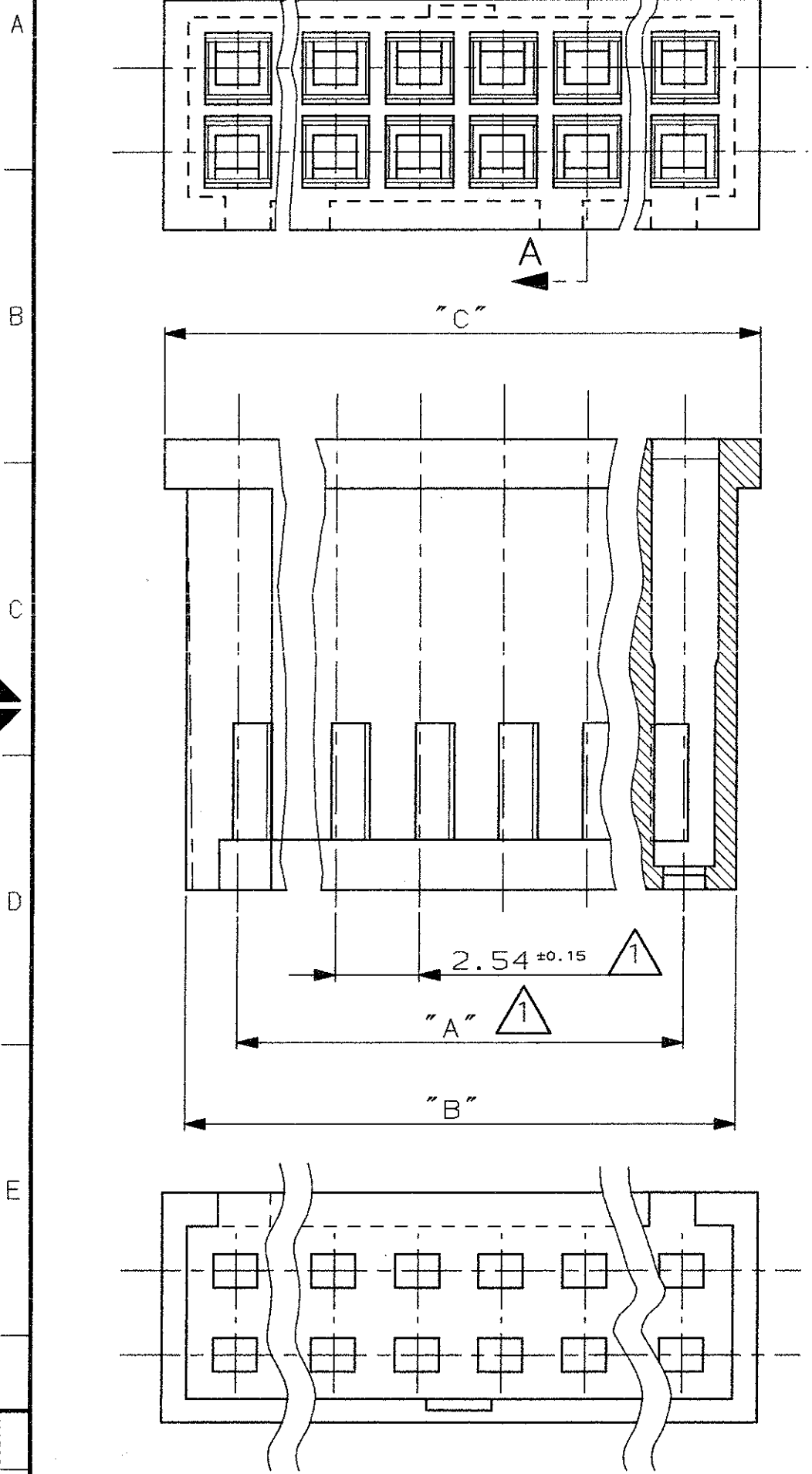
DISTRIBUZIONE (PRINT DIST.)

SECTION A-A

SCALA NON IMPEGNATIVA
(DO NOT SCALE)
DIMENSIONI IN mm
(DIMENSIONS IN mm)

METRIC

PROIEZIONE AMERICANA
(THIRD ANGLE PROJECTION)



⚠ Tolleranza non cumulativa
(Non-cumulative tolerance)

Nr. Pos.	Part Number	Dim "A"	Dim "B"	Dim "C"
5	284123-1	10.16	13.2	14.7
22	280369	53.34	56.4	57.9
8	281018	43.18	46.2	47.8
15	280368	35.56	38.6	40.1
12	280515	27.94	31	32.5
9	280513	20.32	23.3	24.9
8	280366	17.78	20.8	22.3
6	282792-1	12.7	15.7	17.2
4	280365	7.62	10.6	12.2

CUSTOMER DRAWING FOR REFERENCE ONLY / DISEGNO PER CLIENTE SOLO PER RIFERIMENTO

THIS DRAWING IS UNPUBLISHED / RELEASE FOR PUBLICATION 19
© COPYRIGHT 19 BY AMP INCORPORATED, HARRISBURG, PA. ALL INTERNATIONAL RIGHT RESERVED. AMP PRODUCTS MAY BE COVERED BY U.S. AND FOREIGN PATENT AND/OR PATENT PENDING

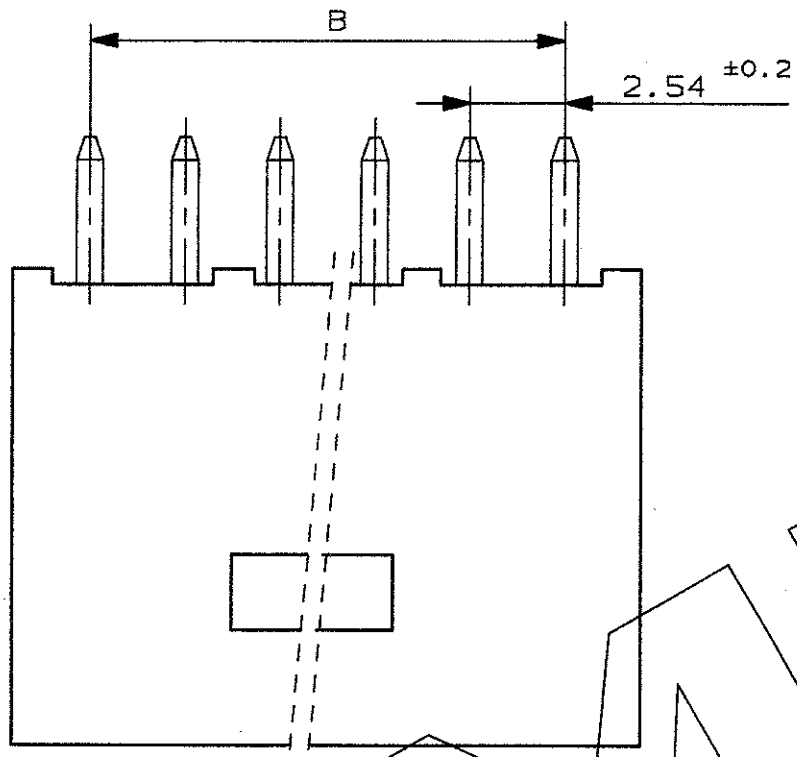
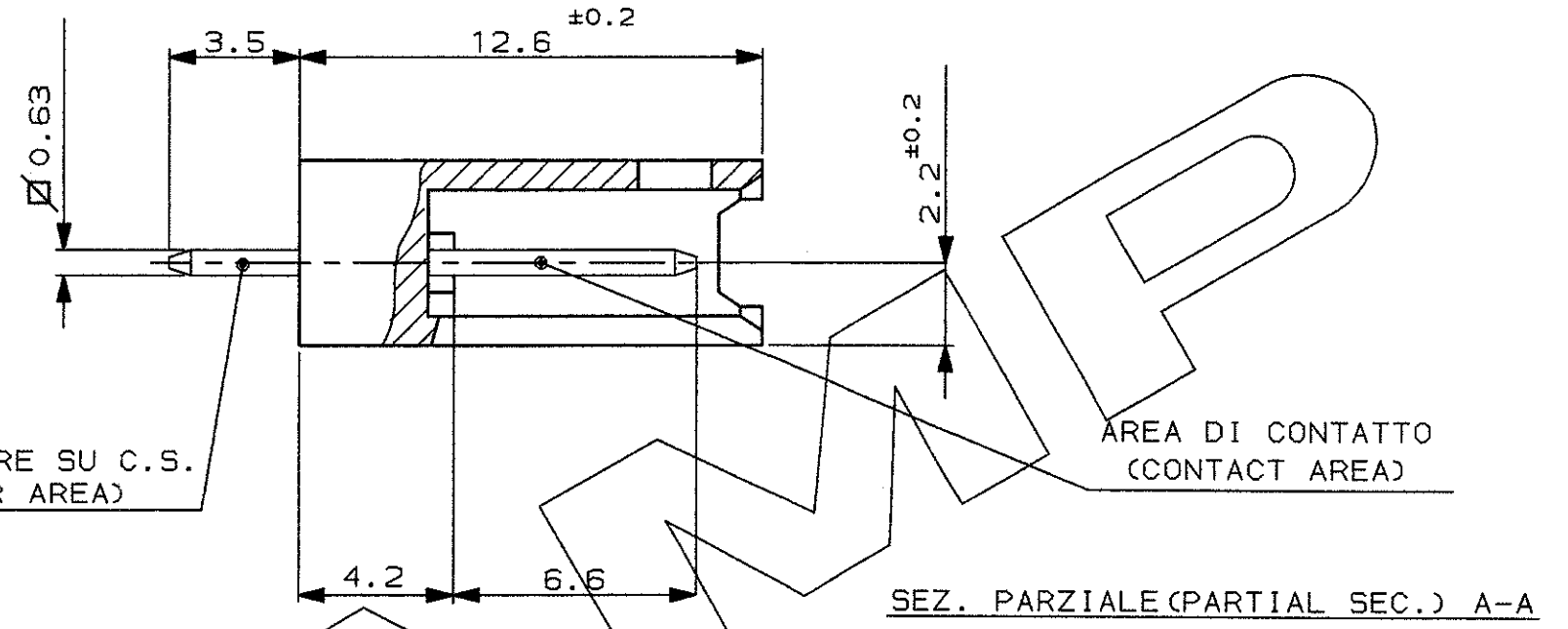
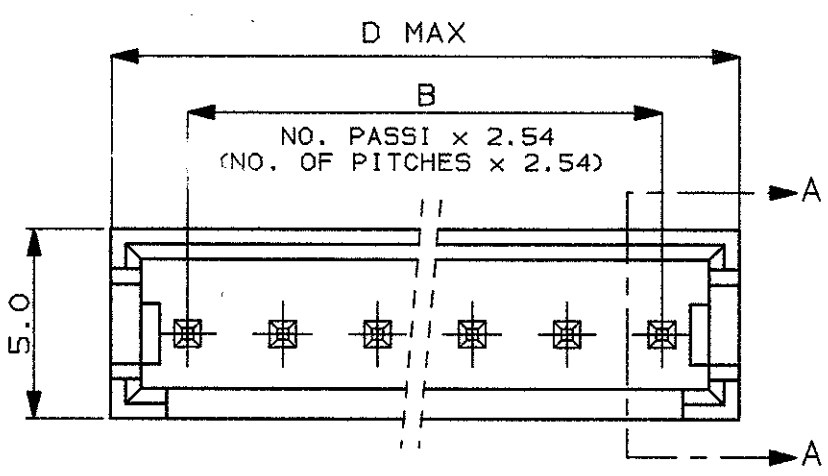
TOLLERANZE, SE NON DIVERSAMENTE SPECIFICATO / MATERIALI (MATERIALS) NORYL (UL94-V1) SCALA (SCALE) Colore nero (Black colour)

± 0.3 / ANGOLI (ANGLES) ± 2° / DIS. M. SCOMPARI 2 JAN 96 / DESCRIZIONE (DESCRIPTION) AMPMODU Mod. II Rec.

NOT YET RELEASED FOR PRODUCTION P/N 284123-1 PER ET00-0112 / F.B. 04MAY 98 / CONT. R. CANTORE 2 JAN 96 / HSG, Double Row, Crimp Snap-in.

RELEASED FOR PRODUCTION P/N 284123-1 PER ET00-0301-98 / F.B. 29DEC 98 / MODIFIED PER ET00-0150-98 / F.B. 19MAY 1998 / NOT YET RELEASED FOR PRODUCTION P/N 284123-1 PER ET00-0112 / F.B. 04MAY 98 / RELEASED FOR PROD. P/N 282792-1 (ET00-0452-96) / C.P. 21-TQ '96 / -REDRAWN BY CAD -ADDED 6x2 POSITION PER ET00-0053-96 / M.S. 5-2 '96 / APP. (APP.) / DIS. DATA (DATE) / LOC. SIZE NUMERO (DWG NO) / REV. / FOGLIO (SHEET) / I A3 C - 280365 / Z 1 (OF) 1

DISTRIBUZIONE (PRINT DIST.)



58.5	53.34	280376-3	280376-2	280376-1	22
40.7	35.56	280375-3	280375-2	280375-1	15
33.1	27.94	280520-3	280520-2	280520-1	12
28.0	22.86	280374-3	280374-2	280374-1	10
25.4	20.32	280508-3 ⁵	280508-2	280508-1	9
22.9	17.78	280373-3	280373-2	280373-1	8
17.8	12.70	280372-3	280372-2	280372-1	6
12.7	7.62	280371-3	280371-2	280371-1	4
7.7	2.54	280370-3	280370-2	280370-1	2
D	B	NUMERO (PART NUMBER) ³	NUMERO (PART NUMBER) ²	NUMERO (PART NUMBER) ¹	NO. POS

- ¹ FINITURA (FINISH): STAGNATO 3.5µm (TIN PLATED 3.5µm).
- ² FINITURA (FINISH): DORATO 0.4µm NELL'AREA DI CONTATTO E STAGNATO 2.5µm NELLA ZONA A SALDARE, SU 1.3µm DI NI. (DUPLIX PLATED 0.4µm GOLD IN CONTACT AREA AND 2.5µm TIN IN SOLDER AREA, OVER 1.3µm NICKEL).
- ³ FINITURA (FINISH): DORATO 0.8µm NELL'AREA DI CONTATTO E STAGNATO 2.5µm NELLA ZONA A SALDARE, SU 1.3µm DI NI. (DUPLIX PLATED 0.8µm GOLD IN CONTACT AREA AND 2.5µm TIN IN SOLDER AREA, OVER 1.3µm NICKEL).
- ⁴ MATERIALI (MATERIALS):
 -BLOCCHETTI: POLIESTERE AUTOESTINGUENTE UL94V-0, COLORE NERO.
 (HOUSINGS: FLAME RETARDANT THERMOPLASTIC, COLOR BLACK).
 -CONTATTI STAGNATI: BRONZO FOSFOROSO.
 (TIN PLATED CONTACTS: PHOSPHOR BRONZE).
 -CONTATTI DORATI: OTTONE.
 (GOLD PLATED CONTACTS: BRASS).
- ⁵ P/N OBSOLETO (OBSOLETE P/N)

CUSTOMER DRAWING FOR REFERENCE ONLY DISEGNO PER CLIENTE SOLO PER RIFERIMENTO

THIS DRAWING IS UNPUBLISHED RELEASE FOR PUBLICATION 19
 © COPYRIGHT 19 BY AMP INCORPORATED, HARRISBURG, PA. ALL INTERNATIONAL RIGHT RESERVED. AMP PRODUCTS MAY BE COVERED BY U.S. AND FOREIGN PATENT AND/OR PATENT PENDING

TOLLERANZE, SE NON DIVERSAMENTE SPECIFICATO MATERIALI (MATERIALS) SCALA (SCALE)
 (TOLERANCES, UNLESS OTHERWISE SPECIFIED) VEDERE NOTA (SEE NOTE) ⁴ 5:1

± 0.3
 ANGOLI (ANGLES) ± 2°

DIS. G. CAMPIA (DR.) 12 FEB 90 DESCRIZIONE (DESCRIPTION) AMPMODU II HEADER
 ASS. IES, R. ANGLE, SINGLE ROW

L	OBSOLETO P/N 280503-3 (ET00-538-96)	C.V.P. 4-12/96	CONT. (CHK)
K	AGGIORNATO E RIDISEGNATO (REVISED & REDRAWN)	G.C. 2/90	APP. (APP.)
REV.	REVISIONI (REVISION RECORD)	DIS. DATA (DR) (DATE)	

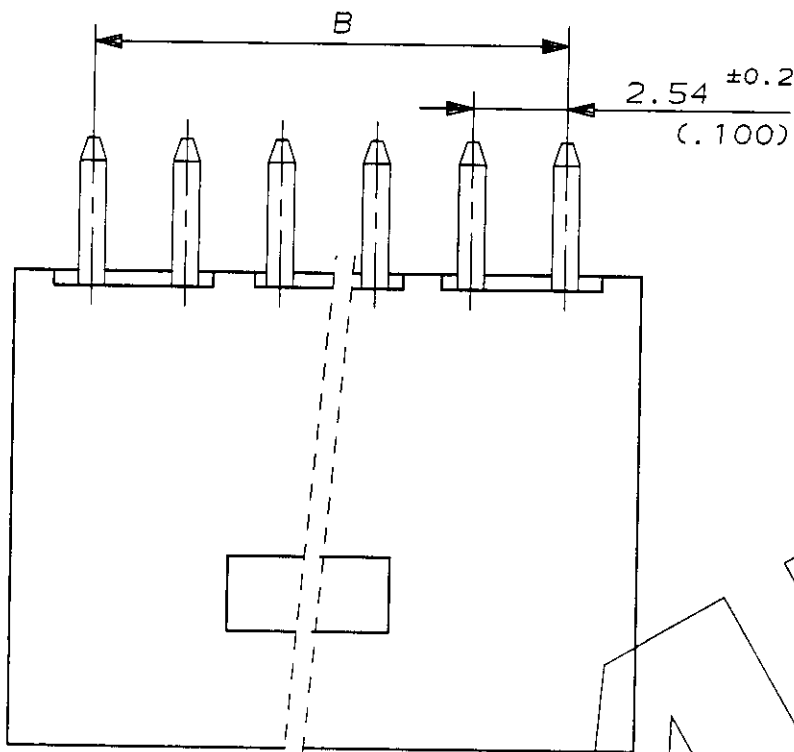
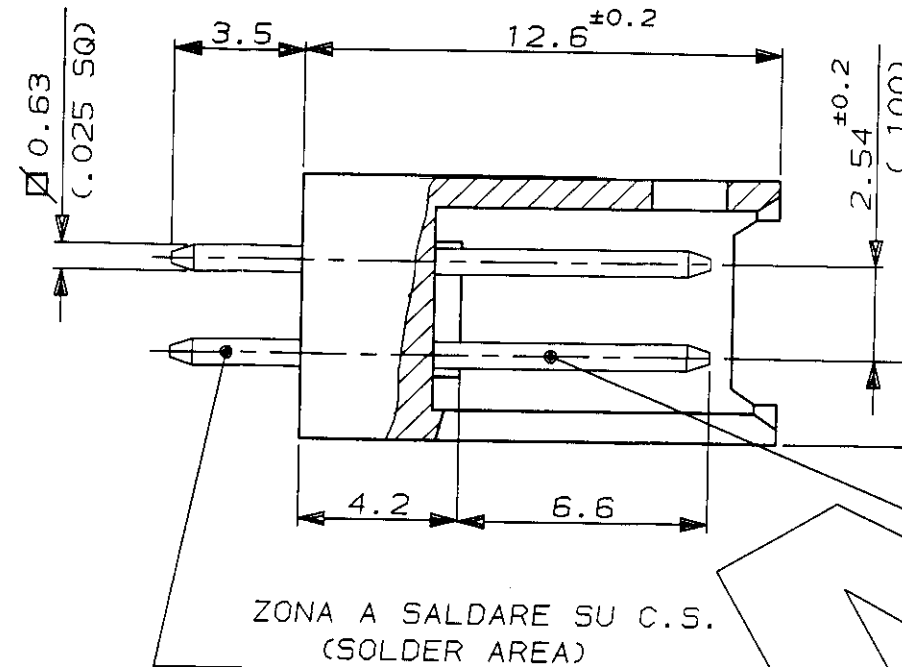
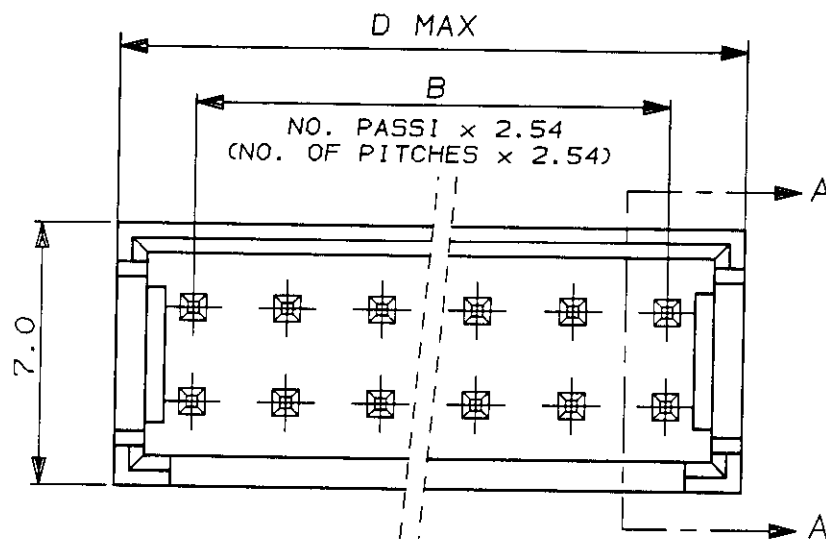
LOC. SIZE NUMERO (DWG NO) REV. FOGLIO (SHEET) DI (OF)
 I A3 C - 280370 L 1 1

DISTRIBUZIONE (PRINT, DIST.)

SCALA NON IMPEGNATIVA
(DO NOT SCALE)
DIMENSIONI IN mm
(DIMENSIONS IN mm)

METRIC

PROIEZIONE EUROPEA
(EUROPEAN PROJECT)



AREA DI CONTATTO
(CONTACT AREA)

ZONA A SALDARE SU C.S.
(SOLDER AREA)

SEZ. PARZIALE (PARTIAL SEC.) A-A

NOTE (NOTES)

- 1 FINITURA (FINISH): STAGNATO 3.5µm (TIN PLATED 3.5µm).
- 2 FINITURA (FINISH): DORATO 0.4µm NELL'AREA DI CONTATTO E STAGNATO 2.5µm NELLA ZONA A SALDARE, SU 1.3µm DI NI. (DUPLIX PLATED 0.4µm GOLD IN CONTACT AREA AND 2.5µm TIN IN SOLDER AREA, OVER 1.3µm NICKEL).
- 3 FINITURA (FINISH): DORATO 0.8µm NELL'AREA DI CONTATTO E STAGNATO 2.5µm NELLA ZONA A SALDARE, SU 1.3µm DI NI. (DUPLIX PLATED 0.8µm GOLD IN CONTACT AREA AND 2.5µm TIN IN SOLDER AREA, OVER 1.3µm NICKEL).
- 4 MATERIALI (MATERIALS):
 -BLOCCHETTI: POLIESTERE AUTOESTINGUENTE UL94V-0, COLORE NERO.
 (HOUSINGS: FLAME RETARDANT THERMOPLASTIC, COLOR BLACK).
 -CONTATTI STAGNATI: BRONZO FOSFOROSO.
 (TIN PLATED CONTACTS: PHOSPHOR BRONZE).
 -CONTATTI DORATI: OTTONE.
 (GOLD PLATED CONTACTS: BRASS).

5 P.N. OBSOLETE

58.5	53.34	280388-3	280388-2	280388-1	22
48.3	43.18	281019-3	281019-2	5 281019-1	18
40.7	35.56	280387-3	280387-2	280387-1	15
33.1	27.94	280521-3	280521-2	280521-1	12
25.4	20.32	280509-3	280509-2	280509-1	9
22.9	17.78	280385-3	280385-2	280385-1	8
12.7	7.62	280388-3	280384-2	280384-1	4
D	B	NUMERO (PART NUMBER) 3	NUMERO (PART NUMBER) 2	NUMERO (PART NUMBER) 1	NO. POS.

CUSTOMER DRAWING FOR REFERENCE ONLY
DISEGNO PER CLIENTE SOLO PER RIFERIMENTO

THIS DRAWING IS UNPUBLISHED RELEASE FOR PUBLICATION 19

© COPYRIGHT 19 BY AMP INCORPORATED, HARRISBURG, PA. ALL INTERNATIONAL RIGHT RESERVED. AMP PRODUCTS MAY BE COVERED BY U.S. AND FOREIGN PATENT AND/OR PATENT PENDING

TOLLERANZE, SE NON DIVERSAMENTE SPECIFICATO MATERIALI (MATERIALS) SCALA (SCALE)

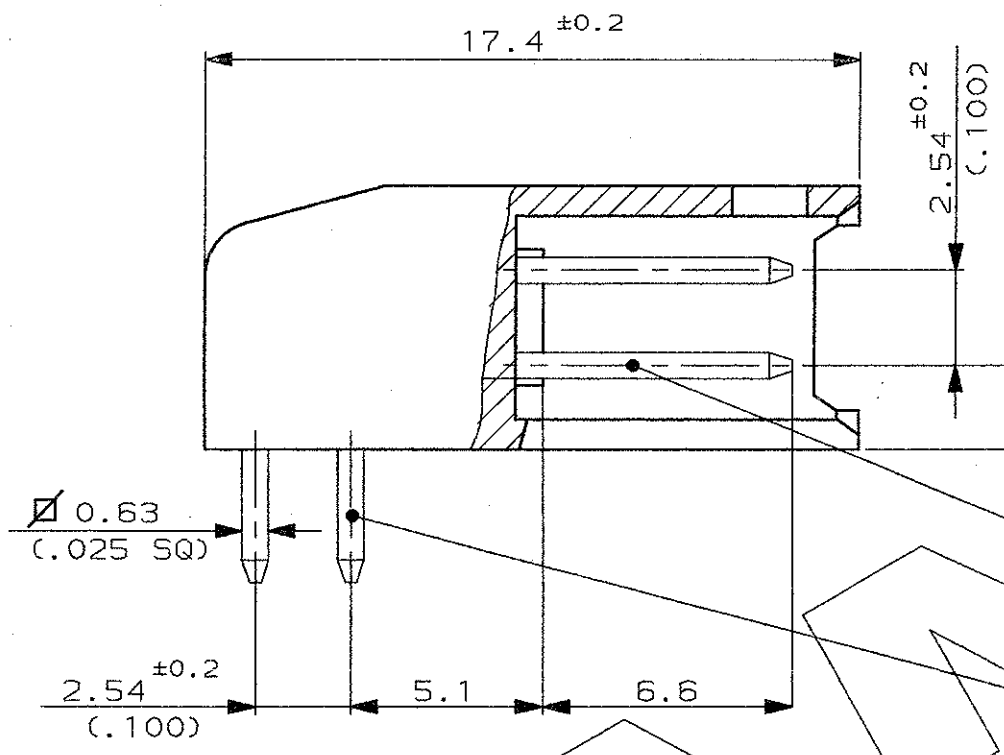
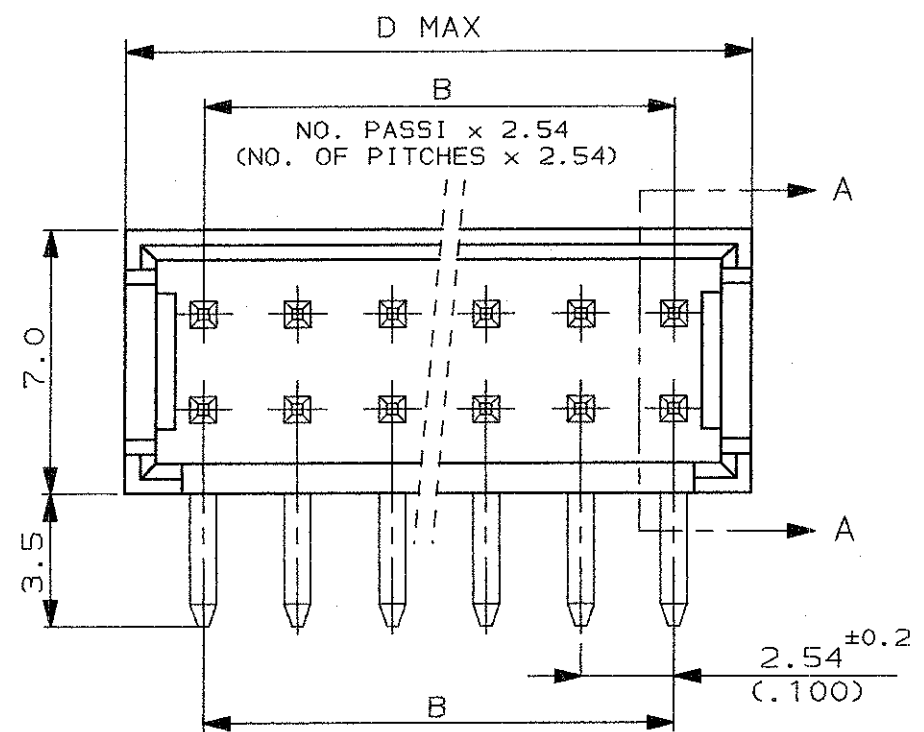
(TOLERANCES, UNLESS OTHERWISE SPECIFIED) VEDERE NOTA (SEE NOTE) 4 5:1

ANGOLI (ANGLES) ± 0.3 ± 2°
DIS. (DR.) G. CAMPIA 12 FEB 90
DESCRIZIONE (DESCRIPTION) AMPMODU II HEADER

H	REV. PER ET00-0094-94 P.N. 281019-1 OBSOLETE	CONT. (CHK) -	LOC. SIZE NUMERO (CONG NO)	REV.	FOGLIO (SHEET) DI (OF)
G	AGGIORNATO E RIDISEGNATO (REVISED & REDRAWN)	G.C. 2/90	I A3 C - 280384	H	1 1
REV.	REVISIONI (REVISION RECORD)	DIS. DATA (DR) (DATE)			

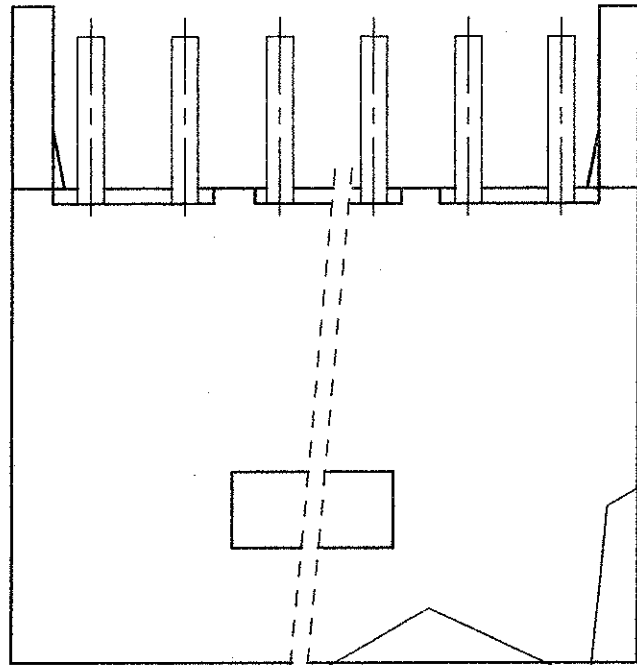
DISTRIBUZIONE (PRINT DIST.)

SCALA NON IMPEGNATIVA (DO NOT SCALE)
 DIMENSIONI IN (DIMENSIONS IN) mm METRIC
 PROIEZIONE EUROPEA (EUROPEAN PROJECTION)



AREA DI CONTATTO (CONTACT AREA)
 ZONA A SALDARE SU C.S. (SOLDER AREA)
 SEZ. PARZIALE (PARTIAL SEC.) A-A

NOT YET RELEASED FOR PRODUCTION



15.2	10.16		284124-1		5		
58.5	53.34	5	280393-3	280393-2	280393-1	22	
48.3	43.18	281021-3	5	281021-2	281021-1	5	18
40.7	35.56	280392-3		280392-2	280392-1		15
33.1	27.94	280522-3		280522-2	280522-1		12
25.4	20.32	280510-3		280510-2	280510-1		9
22.9	17.78	280390-3		280390-2	280390-1		8
17.8	12.70			282790-1			6
12.7	7.62	280389-3		280389-2	280389-1		4
D	B	NUMERO (PART NUMBER) 3	NUMERO (PART NUMBER) 2	NUMERO (PART NUMBER) 1	NO. POS.		

NOTE (NOTES)

- 1 FINITURA (FINISH): STAGNATO 3.5µM (TIN PLATED 3.5µM).
- 2 FINITURA (FINISH): DORATO 0.4µM NELL'AREA DI CONTATTO E STAGNATO 2.5µM NELLA ZONA A SALDARE, SU 1.3µM DI NI. (DUPLEX PLATED 0.4µM GOLD IN CONTACT AREA AND 2.5µM TIN IN SOLDER AREA, OVER 1.3µM NICKEL).
- 3 FINITURA (FINISH): DORATO 0.8µM NELL'AREA DI CONTATTO E STAGNATO 2.5µM NELLA ZONA A SALDARE, SU 1.3µM DI NI. (DUPLEX PLATED 0.8µM GOLD IN CONTACT AREA AND 2.5µM TIN IN SOLDER AREA, OVER 1.3µM NICKEL).
- 4 MATERIALI (MATERIALS):
 -BLOCCHETTI: POLIESTERE AUTOESTINGUENTE UL94V-0, COLORE NERO. (HOUSINGS: FLAME RETARDANT THERMOPLASTIC, COLOR BLACK).
 -CONTATTI STAGNATI: BRONZO FOSFOROSO. (TIN PLATED CONTACTS: PHOSPHOR BRONZE).
 -CONTATTI DORATI: OTTONE. (GOLD PLATED CONTACTS: BRASS).

5 P.N. OBSOLETE

CUSTOMER DRAWING FOR REFERENCE ONLY DISEGNO PER CLIENTE SOLO PER RIFERIMENTO

THIS DRAWING IS UNPUBLISHED RELEASE FOR PUBLICATION 19

© COPYRIGHT 19 BY AMP INCORPORATED, HARRISBURG, PA. ALL INTERNATIONAL RIGHT RESERVED. AMP PRODUCTS MAY BE COVERED BY U.S. AND FOREIGN PATENT AND/OR PATENT PENDING

TOLLERANZE, SE NON DIVERSAMENTE SPECIFICATO (TOLERANCES, UNLESS OTHERWISE SPECIFIED)

MATERIALI (MATERIALS) SCALA (SCALE) 5:1

VEDERE NOTA (SEE NOTE) 4

AMP AMP ITALIA S.p.A. Corso F.lli Cervi, 15 COLLEGGNO (TORINO)

DESCRIZIONE (DESCRIPTION) AMPMODU II HEADER

ASS. IES, R. ANGLE, DOUBLE ROW

LOC. SIZE NUMERO (DWG NO) REV. FOGLIO (SHEET) 1 DI (OF) 1

I A3 C - 280389 W 1

DISTRIBUZIONE (PRINT DIST.)