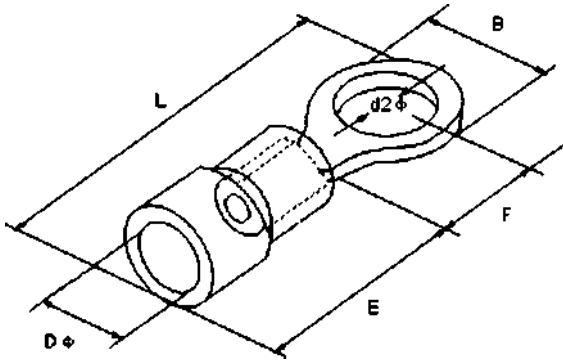


## Клеммы тип \*о\* изолированные RV



Наименование	Габаритные размеры, мм						Сечение провода, мм <sup>2</sup>	Сечение провода, AWG	Максимальный ток, А
	d2	B	L	F	E	D			
RV 1.25-3.2	3.2	5.7	17.8	4.95	10	4.3	0.5...1.5	22-16	19
RV 1.25-3.7L	3.7	8	21.5	7					
RV 1.25-3.7M	3.7	6.6	20.1	6.3					
RV 1.25-3.7S	3.7	5.7	17.8	4.95					
RV 1.25-4L	4.3	8	21.5	7					
RV 1.25-4S	4.3	6.6	20.1	6.3					
RV 1.25-5	5.3	8	21.5	7	10	4.9	1.5...2.5	16-14	27
RV 2-3.2	3.2	6.6	17.8	4.3					
RV 2-3.7L	3.7	8.5	22.5	7.75					
RV 2-3.7M	3.7	6.6	21	7					
RV 2-3.7S	3.7	6.6	17.8	4.3					
RV 2-4L	4.3	8.5	22.5	7.75					
RV 2-4S	4.3	6.6	21	7					
RV 2-5L	5.3	9.5	22.5	7.25					
RV 2-5S	5.3	8.5	22.5	7.75					
RV 2-6	6.5	12	27.6	11					
RV 3.5-4	4.3	8	24.5	7.7	12.5	6.2	2.5...4	14-12	37
RV 3.5-5S	5.3	8	24.5	7.7					
RV 3.5-5L	5.3	12	27.9	7.7					
RV 3.5-6	6.5	12	27.9	7.7					
RV 5.5-12	13	19.2	38.1	16	12.5	6.7	4...6	12-10	48
RV 5.5-3.7	3.7	7.2	21.4	5.9					
RV 5.5-4L	4.3	9.5	25.5	8.3					
RV 5.5-4S	4.3	7.2	21.4	5.9					
RV 5.5-5	5.3	9.5	25.5	8.3					
RV 5.5-6	6.5	12	31.5	13					