

TERMINAL BLOCK Connector



PCB Series

KLS2-300-5.00 Series Pitch=5.00mm/10.00mm

Electrical :

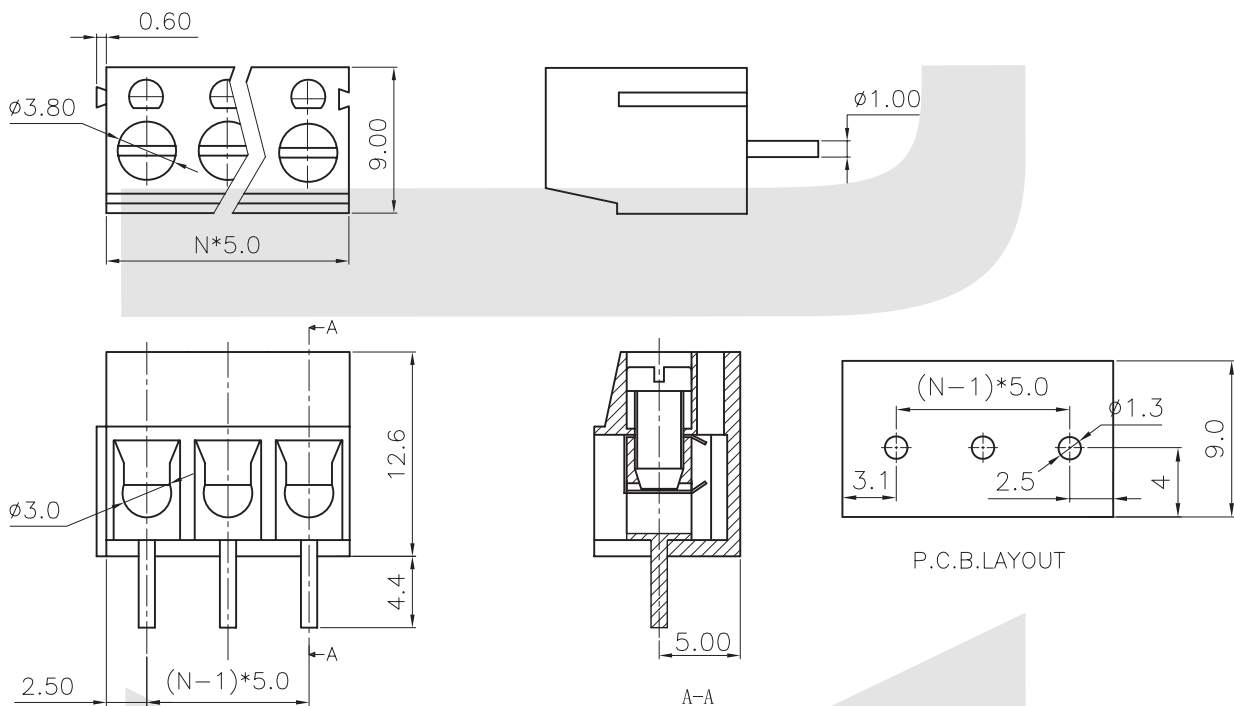
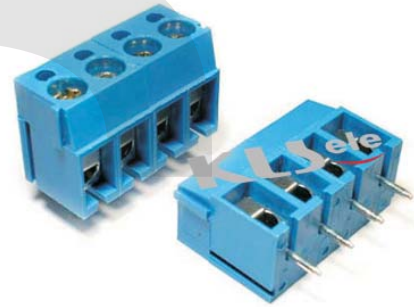
- Rated Voltage: 300V
- Rated Current: 16A
- Contact Resistance: 20mΩ
- Insulation Resistance: 5000MΩ/1000V
- Withstanding Voltage: AC1500V/1Min
- Wire Range: 22-14AWG 2.5mm²

Material

- Screws: M3 steel Zinc plated
- Wire guard: phosphor bronze Ni plated or stainless steel
- Pin header: Brass, Tin plated
- Housing: PBT,UL94V-0

Mechanical

- Temp. Range: -30°C~+120°C
- MAX Soldering: ++250°C for 5 Sec.
- Torque: 0.5Nm (4.5lb.in)
- Strip length: 4.5-5mm



ORDER INFORMATION

Product NO.: KLS2-300-5.00-XXP X X X

- Pos. NO. _____
- Series No. _____
- Pitch: 5.00=5.00mm
10.00=10.00mm
- Number of Pole _____
- Customer Request _____
- Screw: C=Cross Screw
S=Slot Screw
- Color: 1=Gray 2=Blue 3=Black
4=Green 5=Orange 6=Red
7=Transparent 8=Yellow 9=White